

Smart String Inverter

SUN2000-17/20KTL



Smart

- 6 strings intelligent monitoring and fast trouble-shooting
- RS485 and USB ports for connectivity and data management
- Local graphic LCD display and remote monitoring

Efficient

- Max. efficiency 98.6%, European efficiency 98.3%
- 3 MPPTs for versatile adaptations to different layouts

Safe

- DC disconnect integrated, safe and convenient for maintenance
- Type II surge arresters for both DC and AC
- Residual Current Monitoring Unit (RCMU) integrated inside
- Fuse free design

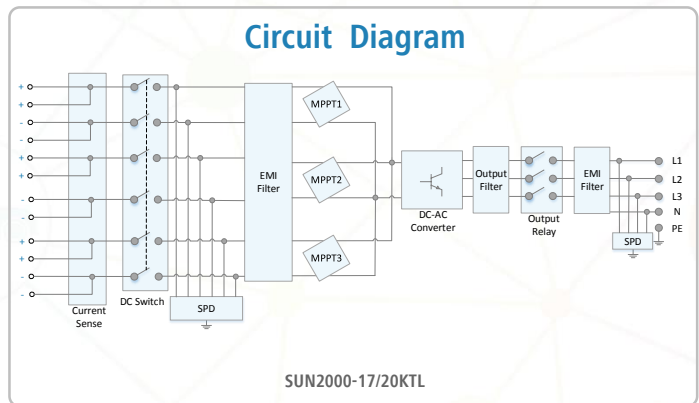
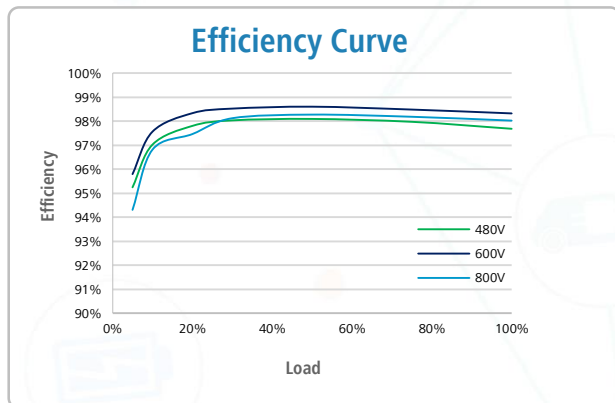
Reliable

- Natural cooling technology
- Protection rating of IP65

Smart String Inverter (SUN2000-17/20KTL)



| Technical Specifications | SUN2000-17KTL | SUN2000-20KTL |
|---|--|--|
| Efficiency | | |
| Max. Efficiency | 98.6% | 98.6% |
| European Efficiency | 98.3% | 98.3% |
| Input | | |
| Max. Input Voltage | 1,000 V | 1,000 V |
| Max. Current per MPPT | 18 A | 18 A |
| Max. Short Circuit Current per MPPT | 25 A | 25 A |
| Start Voltage | 250 V | 250 V |
| MPPT Operating Voltage Range | 200 V ~ 950 V | 200 V ~ 950 V |
| Max. Number of Inputs | 6 | 6 |
| Number of MPP Trackers | 3 | 3 |
| Output | | |
| Rated AC Active Power | 17,000 W | 20,000 W |
| Max. AC Apparent Power | 18,700 VA | 22,000 VA |
| Max. AC Active Power (cosφ=1) | 18,700 W | 22,000 W |
| Rated Output Voltage | 220 V / 380 V, 230 V / 400 V, 3W+N+PE | 220 V / 380 V, 230 V / 400 V, 3W+N+PE |
| Rated AC Grid Frequency | 50 Hz / 60 Hz | 50 Hz / 60 Hz |
| Rated Output Current | 25.8 A @ 380 V / 24.7 A @ 400 V | 30.4 A @ 380 V / 29 A @ 400 V |
| Max. Output Current | 28.5 A | 33.5 A |
| Adjustable Power Factor | 0.8 LG ... 0.8 LD | 0.8 LG ... 0.8 LD |
| Max. Total Harmonic Distortion | < 3% | < 3% |
| Protection | | |
| Input-side Disconnection Device | Yes | Yes |
| Anti-islanding Protection | Yes | Yes |
| AC Overcurrent Protection | Yes | Yes |
| DC Reverse-polarity Protection | Yes | Yes |
| PV-array String Fault Monitoring | Yes | Yes |
| DC Surge Arrester | Type II | Type II |
| AC Surge Arrester | Type II | Type II |
| Insulation Monitoring | Yes | Yes |
| Residual Current Monitoring Unit | Yes | Yes |
| Communication | | |
| Display | Graphic LCD | Graphic LCD |
| RS485 | Yes | Yes |
| USB | Yes | Yes |
| General | | |
| Dimensions (W x H x D, with mounting bracket) | 520 x 610 x 266 mm (20.5 x 24.0 x 10.5 inches) | 520 x 610 x 266 mm (20.5 x 24.0 x 10.5 inches) |
| Weight (with mounting plate) | 50 kg (110.2 lb.) | 50 kg (110.2 lb.) |
| Operation Temperature Range | -25 °C ~ 60 °C (-13 °F ~ 140 °F) | -25 °C ~ 60 °C (-13 °F ~ 140 °F) |
| Cooling | Natural Convection | Natural Convection |
| Max. Operating Altitude | 3,000 m (9,842 ft.) | 3,000 m (9,842 ft.) |
| Relative Humidity | 0 ~ 100% | 0 ~ 100% |
| DC Connector | Amphenol Helios H4 | Amphenol Helios H4 |
| AC Connector | Amphenol C16/3 | Amphenol C16/3 |
| Protection Rating | IP65 | IP65 |
| Topology | Transformerless | Transformerless |
| Standards Compliance | | |
| Safety | EN/IEC 62109-1, EN/IEC 62109-2 | |
| Grid Code | IEC 61727, IEC 62116, NB/T 32004-2013, VDE-AR-N-4105, VDE 0126-1-1, BDEW, G59/3, UTE C 15-712-1, CEI 0-16, CEI 0-21, C10/11, EN 50438-Ireland, EN 50438-Turkey, AS 4777, PEA (Only 20KTL), MEA (Only 20KTL), NRS 097-2-1 | |



The text and figures reflect the current technical state at the time of printing. Subject to technical changes. Errors and omissions excepted. Huawei assumes no liability for mistakes or printing errors. For more information, please visit solar.huawei.com. Version: No.:01-20171113