

**MBB**

**5BB**

# KuMax

## HIGH EFFICIENCY POLY MODULE

**CS3U-350 | 355 | 360P (IEC1000V)**

**CS3U-350 | 355 | 360P (IEC1500V)**

### MORE POWER



Low power loss in cell connection



Low NMOT:  $42 \pm 3 \text{ }^\circ\text{C}$   
Low temperature coefficient (Pmax):  $-0.37 \text{ } \%/ \text{ }^\circ\text{C}$



Better shading tolerance



High PTC rating of up to: 92.64 %

### MORE RELIABLE



Minimizes micro-cracks



Lower hot spot temperature



Heavy snow load up to 5400 Pa,  
wind load up to 3600 Pa\*



**linear power output warranty**



**product warranty on materials and workmanship**

### MANAGEMENT SYSTEM CERTIFICATES

ISO 9001:2015 / Quality management system  
ISO 14001:2015 / Standards for environmental management system  
OHSAS 18001:2007 / International standards for occupational health & safety

### PRODUCT CERTIFICATES\*

IEC 61215 / IEC 61730: VDE / CE / MCS / CEC AU  
UL 1703 / IEC 61215 performance: CEC listed (US) / FSEC (US Florida)  
UL 1703: CSA / IEC61701 ED2: VDE / IEC62716: VDE / IEC60068-2-68: SGS  
Take-e-way

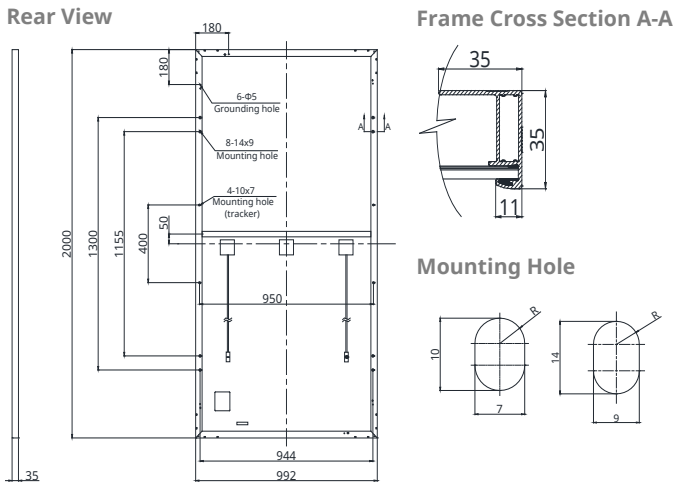


\*We can provide this product with special BOM specifically certified with salt mist, ammonia and sand blowing tests. Please talk to our local technical sales representatives to get your customized solutions.

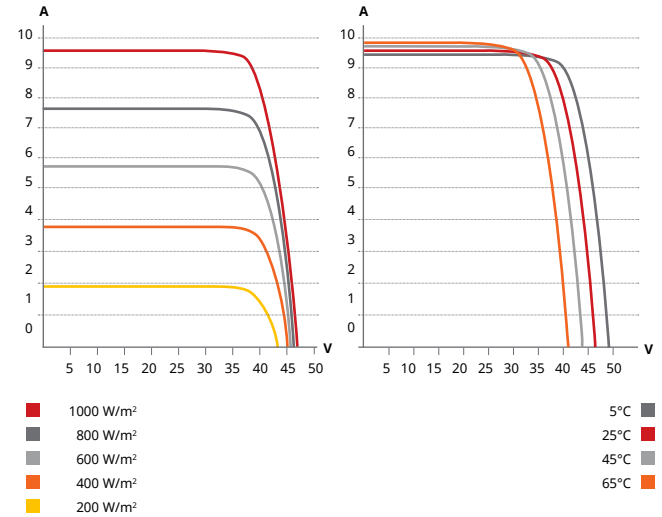
**CANADIAN SOLAR INC.** is committed to providing high quality solar products, solar system solutions and services to customers around the world. No. 1 module supplier for quality and performance/price ratio in IHS Module Customer Insight Survey. As a leading PV project developer and manufacturer of solar modules with over 30 GW deployed around the world since 2001.

\* For detailed information, please refer to the Installation Manual.

## ENGINEERING DRAWING (mm)



## CS3U-355P / I-V CURVES



## ELECTRICAL DATA | STC\*

CS3U	350P	355P	360P
Nominal Max. Power (Pmax)	350 W	355 W	360 W
Opt. Operating Voltage (Vmp)	39.2 V	39.4 V	39.6 V
Opt. Operating Current (Imp)	8.94 A	9.02 A	9.10 A
Open Circuit Voltage (Voc)	46.6 V	46.8 V	47.0 V
Short Circuit Current (Isc)	9.51 A	9.59 A	9.67 A
Module Efficiency	17.64%	17.89%	18.15%
Operating Temperature	-40°C ~ +85°C		
Max. System Voltage	1500V (IEC/UL) or 1000V (IEC/UL)		
Module Fire Performance	TYPE 3 / Type 13 (UL 1703) or CLASS A (IEC61730)		
Max. Series Fuse Rating	30 A		
Application Classification	Class A		
Power Tolerance	0 ~ + 5 W		

\* Under Standard Test Conditions (STC) of irradiance of 1000 W/m<sup>2</sup>, spectrum AM 1.5 and cell temperature of 25°C. Measurement uncertainty: ±3 % (Pmax).

## ELECTRICAL DATA | NMOT\*

CS3U	350P	355P	360P
Nominal Max. Power (Pmax)	260 W	264 W	268 W
Opt. Operating Voltage (Vmp)	36.2 V	36.4 V	36.6 V
Opt. Operating Current (Imp)	7.18 A	7.25 A	7.31 A
Open Circuit Voltage (Voc)	43.7 V	43.9 V	44.1 V
Short Circuit Current (Isc)	7.67 A	7.74 A	7.80 A

\* Under Nominal Module Operating Temperature (NMOT), irradiance of 800 W/m<sup>2</sup>, spectrum AM 1.5, ambient temperature 20°C, wind speed 1 m/s.

## MECHANICAL DATA

Specification	Data
Cell Type	Poly-crystalline
Cell Arrangement	144 [2 X (12 X 6)]
Dimensions	2000 X 992 X 35 mm (78.7 X 39.1 X 1.38 in)
Weight	22.5 kg (49.6 lbs)
Front Cover	3.2 mm tempered glass
Frame	Anodized aluminium alloy, crossbar enhanced
J-Box	IP68, 3 diodes
Cable	4 mm <sup>2</sup> (IEC), 12 AWG (UL)
Cable Length (Including Connector)	Portrait: 400 mm (15.7 in) (+) / 280 mm (11.0 in) (-); landscape: 1250 mm (49.2 in); leap-frog connection: 1670 mm (65.7 in)*
Connector	T4 series (MC4 series is available)
Per Pallet	30 pieces
Per Container (40' HQ)	660 pieces

\* For detailed information, please contact your local Canadian Solar sales and technical representatives.

## TEMPERATURE CHARACTERISTICS

Specification	Data
Temperature Coefficient (Pmax)	-0.37 % / °C
Temperature Coefficient (Voc)	-0.29 % / °C
Temperature Coefficient (Isc)	0.05 % / °C
Nominal Module Operating Temperature	42 ± 3°C

## PARTNER SECTION



\* The specifications and key features contained in this datasheet may deviate slightly from our actual products due to the on-going innovation and product enhancement. Canadian Solar Inc. reserves the right to make necessary adjustments to the information described herein at any time without further notice. Please be kindly advised that PV modules should be handled and installed by qualified people who have professional skills and please carefully read the safety and installation instructions before using our PV modules.

## CANADIAN SOLAR INC.

Canadian Solar MSS (Australia) Pty Ltd., 44 Stephenson St, Cremorne VIC 3121, Australia  
support@canadiansolar.com, www.canadiansolar.com/au

Dec. 2018. All rights reserved, PV Module Product Datasheet V5.582\_AU

Manufacture in China, Thailand and Vietnam.